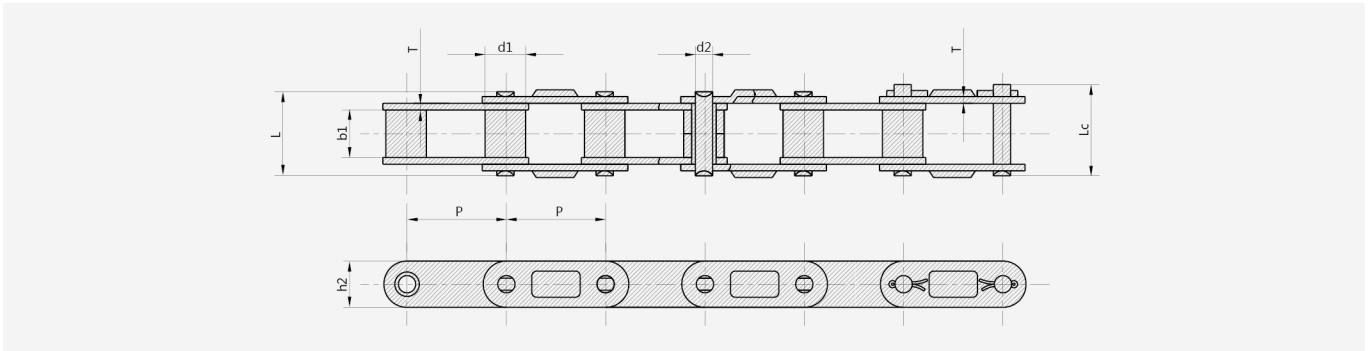
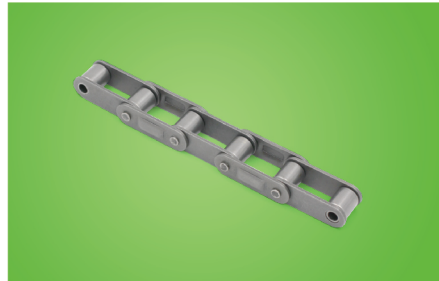
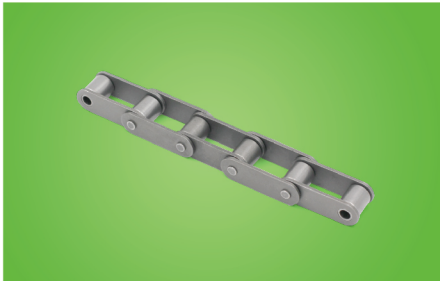




CA Type Steel Agricultural Chain



Chain No.	Pitch P [mm]	Roller diameter d1 max [mm]	Width between inner plates b1 min [mm]	Pin diameter d2 max [mm]	Pin length L max [mm]	Pin length Lc max [mm]	Plate dimension B max [mm]	Plate dimension T max [mm]	Ultimate tensile strength Q min [kN/lbf]	Average tensile strength q [kN]	Weight per meter q [kg/m]
CA2801	30.00	15.88	19.05	8.28	36.1	39.4	20.5	3.00	50.00/11247.	55.0	2.51
CA550D	41.40	16.87	19.81	7.19	35.0	38.0	19.3	2.80	39.10/8886	51.2	1.94
CA555D	41.40	16.87	12.70	7.19	29.1	32.0	19.3	3.10	38.10/8886	56.0	1.72
CA557D	41.40	17.78	20.24	8.00	37.4	40.6	23.1	3.10	55.61/12639	74.3	2.60
CA620D	42.01	17.91	24.51	7.19	41.8	45.2	20.2	3.25	39.10/8886	55.1	2.35